



PE Polymer Dosing Device for Water Treatment



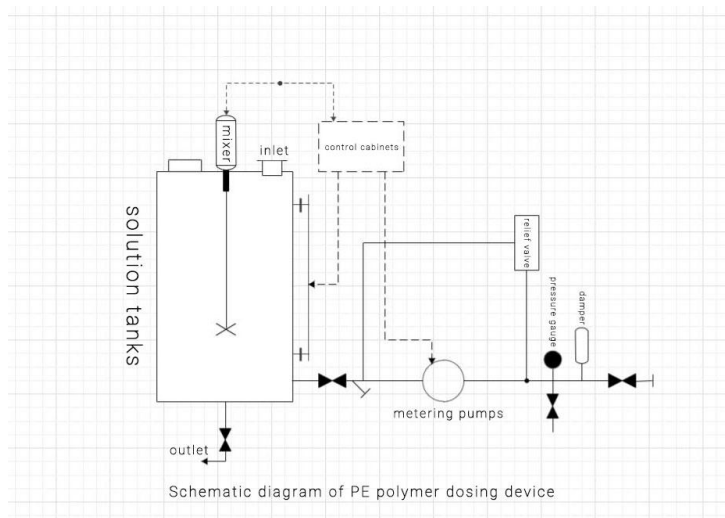
Introduction

The PE polymer dosing device is a practical new water treatment equipment specially designed to optimize the operation of the circulating water system. It realizes the metering control of chemicals through the mechanical pulse action and stroke adjustment principle of the metering pump.



- A. Various proportions of water treatment chemicals can be added arbitrarily, and the measurement data is accurate.
- B. High degree of automation, simple operation and low energy consumption.
- C. Installation, use and maintenance are simple and convenient.
- D. Strong corrosion resistance, strong acid and alkali resistance, safe and reliable.
- E. If the user needs, the system can be remotely controlled and integrated into the computer management system.

Working Principle



It mainly includes solution tanks, mixing tanks, metering pumps, filters, solenoid valves, check valves, liquid level gauges, pressure gauges, control cabinets, installation platforms, etc., which are integrated and installed on a base. The user only needs to place the combined dosing device in the dosing chamber, connect the dosing tube, and turn on the power to start operation. During operation, the PH value of the fluid is automatically detected and the corresponding liquid is added. The amount of dosing can be adjusted freely to meet the needs of different dosing volumes.



Model Selections

No.	Item	Data
1	Dosing tank	different volume, from 100L-5000L
2	Agitator	different power, 0.37-2.2kw
3	Metering pump	Electromagnetic metering pump, Mechanical diaphragm pump
4	Liquid level meter	Magnetic flap liquid level meter
5	Electric control box	have different raw material, SPCC and stainless steel
6	Flow meter	according to customers' requirements
7	Related valves	safe valve and check valve
8	Other equipments	according to customers' requirements





**“ We only have one earth, Let’s take care of it.
Wastewater effluent and odorous gas emission must
be treated before discharging back to the
environment.
”**

CONTACT US

WUXI QIUYUAN ENVIRONMENTAL ENGINEERING CO., LTD.

Zhoutie Town, Yixing City, Jiangsu Province, China

TEL: +86-510-68992117

MOBILE: +86-13861543638

EMAIL: info@bioetp.com



BIOETP